

Cooker Hood

EN



*English*

Warnings!



Installation



Instructions





## Safety

---

The appliance is not to be used by persons (including children) with reduced physical, sensory or mental capabilities, or lack of experience and knowledge, unless they have been given supervision or instruction. This equipment can be used by children aged 8 or more, people with physical, mental and sensory disabilities or inexperienced users if they were instructed under proper supervision or trained on the safe use of the equipment and if they are fully aware of the related risks. Children shall not play with the equipment. The cleaning and **maintenance** are at user's expense and shall not be performed by unsupervised children.

- As soon as the equipment is delivered, remove the package immediately. Verify its overall aspect and, should any type of anomaly be found, notify it immediately to the sales point or the installer.
- Its equipment is intended for domestic use. **It shall not be employed for industrial or professional purposes** nor for any other purpose than that for which it has been designed.
- The supplier will not provide any warranty for the consequences and damages caused by an improper installation or a misuse of the equipment.
- Do not attempt to modify the characteristics of this equipment, that would represent a hazard. Repairs shall be exclusively made by a specialized and **authorized** technician. To avoid risks, the manipulation of the equipment is strictly forbidden so is the replacement of the power cable.
- **When the range hood is located above a gas appliance, this distance shall be at least 65 cm. If the instructions for installation for the gas hob specify a greater distance, this has to be taken into account.**
- Once the equipment has been installed, the disconnection of the equipment from the power supply shall be allowed. Disconnection can be done by keeping the jack accessible or adding a switch to the electric system in accordance with the installation rules.



- If the power cord is damaged, it shall be replaced either by the producer, its customer service or qualified personnel in order to avoid risks.
- It is of vital importance to place particular attention as to where the wall or ceiling will be perforated so as to verify the presence of hidden electrical cables, pipes or iron beams, etc. This may cause serious breakdowns, electrical derivations or the transmission of noises and vibrations.
- **IMPORTANT: During the installation phase, before electrically connecting the equipment, always disconnect the power panel that will supply it (differential or thermal-magnetic of the general house switchboard).**
- **WARNINGS: Always disconnect the exhaust hood from the electrical outlet before proceeding to cleaning and maintenance operations by plugging off the electrical outlet, differential or thermal-magnetic of the general home switchboard. To clean the exhaust hood, never use steam or high-pressure devices (rules regarding electric safety).**
- It is forbidden to cook directly on the flame or operate the gas stoves with no container to cook on the same flame (aspirated flames may damage the equipment and the warranty will be cancelled accordingly). The use of the equipment on a fuel stove is not authorized (wood, coal,...).
- Frying under the equipment shall be constantly monitored since oils and fats being subjected to high temperatures may ignite. Do not flame under the exhaust hood.
- **CAUTION:** accessible parts may become hot when used with cooking appliances.
- Follow the cleaning frequency and filter substitution. The accrual of fat deposits may provoke fires. Never use the exhaust hood without the anti-fat filter.
- The equipment shall abide by the existing rules on the ventilation of closed spaces. Technically, the air expelled shall not pass through the duct used for the discharge of smokes from appliances using gas or any other fuel (central heating systems, etc...).
- Ventilate the environment appropriately in case of a simultaneous operation of the exhaust hood and any other equipment supplied by an



energy source other than electricity so that the exhaust hood will not draw gas compounds.

- **Attention!** There shall be adequate ventilation of the room when the range hood is used at the same time as appliances burning gas or other fuels (not applicable to appliances that only discharge the air back into the room).
- It is necessary to maintain a depressurized environment of maximum 4 Pa (0.04 mbar). Such conditions allow an excellent working of the exhaust hood. In order to achieve such environment **a permanent air intake is necessary** in order to avoid air stagnation (it is advised to use a **ventilation grid** for this purpose). Windows or doors shall not be used.
- The electrical supply of the power network shall be stable and cope with the indicated electrical standards, see rating label. Should it be not stable and receive voltage variations in the supply, intensity or frequency such as armonici, transistor, voltage dips, overloads, electrical storms, etc..., the hood may show malfunctions or even breakdowns, and the repair would not be covered by the warranty. In that case, the exhaust hood shall be disconnected and the company must contact an electrician or electrical company in order to solve the supply problem.
- The hood is a household appliance act to extract smoke , it can not be used as support element of objects or utensils.
- In the constant effort to to improve our products, we reserve the right to make changes following their enhancement to their technical, functional and aesthetic characteristics.
- **Range hoods and other cooking fume extractors may adversely affect the safe operation of appliances burning gas or other fuel (including those in other rooms) due to back flow of combustion gases. These gases can potentially result in carbon monoxide poisoning. After installation of a range hood or other cooking fume extractor, the operation of flued gas appliances should be tested by a competent person to ensure that back flow of combustion gases does not occur.**



## Declaration of Conformity CE

---

This appliance is in compliance with the following European Directives:

Directive EMC 2014/30/EU

Directive LVD 2014/35/EU

Directive ROHS 2011/65/EU

Delegated Regulation ( UE ) nr. 65/2014

## Electrical Connection

---

- Before connecting the appliance to the electricity supply, check that the voltage corresponds to that on the data plate and that the power supply cable is suitable for the appliance load also stated on the data plate.
- If the appliance is connected directly to the mains, fit an all-pole disconnect switch with minimum contact gap of 3 mm, adequate for the appliance load and complying to regulations.
- The plug used must support the power of work of the appliance.

**- Do not use reducers, adapters or switches for connection to the mains, since these could overheat and cause burns**

**- Earth connection is required by law**

*If the power cable must be replaced, use a cable having identical characteristics to the original supplied by the manufacturer, suitable for the load and temperature. This is available from After-sales service.*

### **Important!**

***The entire installation process is exclusively reserved for qualified workers, installers or authorized technical service.***

Before proceeding with the installation, make sure that all components are in perfect conditions. Otherwise, contact the vendor and do not proceed with the installation.

Once installed, the likely imperfections of the equipment such as scratches, impacts, etc..., will not be covered by under warranty.



## Maintenance

---

- Use only a damp doth with neutral liquid detergent.
- Do not use wet sponges or cloths, water jets, thinners, solvents, hydrochloric acid, bleach, alcohol or abrasive substances.
- Unplug the appliance or switch off the circuit breaker before carrying out maintenance operations.

## Scrapping

---



The symbol on the product or on the accompanying paperwork indicates that the appliance should not be treated as domestic waste, but should be delivered to a suitable electric and electronic appliance recycling collection point.

Follow local guidelines when disposing of waste. For more information on the treatment, re-use and recycling of this product, please contact your local authority, domestic waste collection service or the shop where the appliance was purchased.

### PLEASE NOTE

DO NOT REMOVE THE PROTECTIVE PLASTIC SHEET FROM THE HOOD UNTIL  
THE INSTALLATION IS NOT COMPLETELY FINALIZED










## Procedure for fixing

---

- Dimensional Drawings 
- Set the spacer as necessary 
- Fix the hood as shown in the scheme 

## Connecting and fitting

---

Before connecting the appliance, check the household installation.

**Appliance with prefitted power cable:** The power cable must only be replaced by a trained after-sales engineer.

**Installing:** Do not trap the power cable and do not route it over sharp edges. If the oven is a built-under type, route the cable on the rear corners of the oven to the socket.

## Electrical Connection

---

Connect the device to the mains and check the operation:

- voltage, see the rating plate





## TC Commands



1	Short pression: Motor ON at first speed. Long pression: Motor OFF.
2	Short pression: Motor at second speed.
3i	Short pression: Motor at third speed. Long pression: intensive speed for 7' (at the end of this time, the system will return to the speed set previously).
	Push this button to set up the timer of 5 minutes. After 5 minutes the cooker hood will be switched off automatically (motor and lighting). When the timer is activated the LED flashes. The timer can not be activated for intensive speed.
	Push This button to switch on/off the light.

## LED Replacement



- Disconnect the connector and replace the part

## Filters Replacement



- **A. ACTIVATED CARBON FILTERS** (Only filtering types):
  - The filter assembly can not be regenerated and must be replaced at least every two months.
- **B. METALLIC ANTI-GREASE FILTERS:**
  - The filters must be washed at least one a month with hot water and detergent.
  - It can also be washed in the dishwasher.
  - Open by means of the handle.

## Tips for Energy Saving

- Always use the cover corresponding to each pot. When cooking without a lid, the energy consumption is somewhat greater.
- Use a glass lid to see inside without having to lift it.
- Use containers flatbed. If the base is not flat, the energy consumption is greater.
- For small amounts, use small pans. A large bowl and filled just needs a lot of energy.
- For cooking, use a little water. Thus, it saves energy and preserves all the vitamins and minerals in vegetables.



## Maintenance functions

---

- **CLEAN AIR:** o preserve air quality --> push Timer button for 3" with hood off. The hood turns on at first speed for 10' per hour. Push any button to disable the function.
- **FILTER SATURATION ALARM:** light button LED flashes every 30h of hood operation: the anti-grease filter shall be cleaned. To reset the hood when it is off push light button for 3".  
On/off button LED flashes every 120h of hood operation: the anti-odor filter shall be replaced (filter version). To reset the hood when it is off push light button for 3".

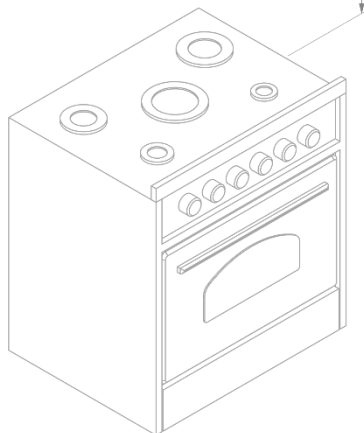
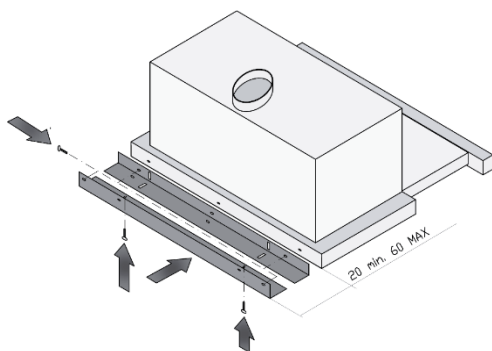
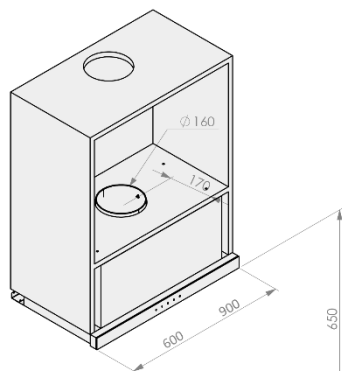
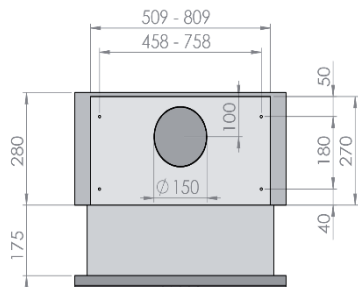
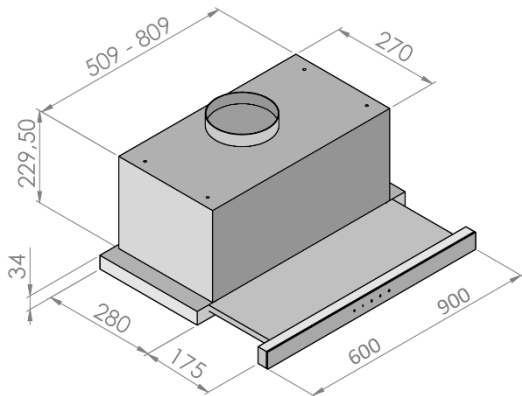
## Maintenace

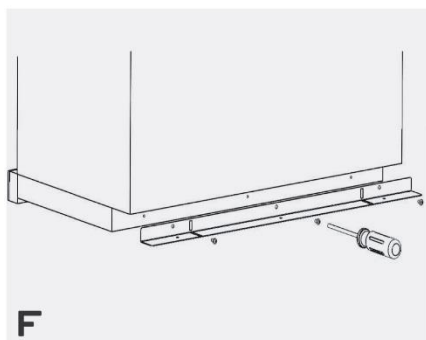
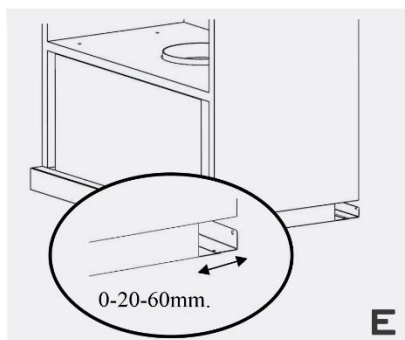
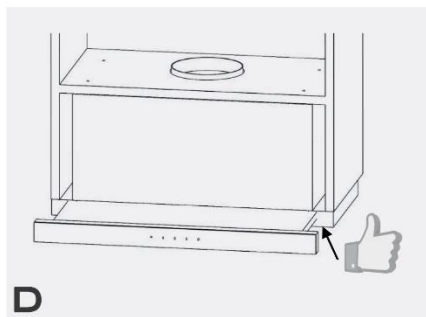
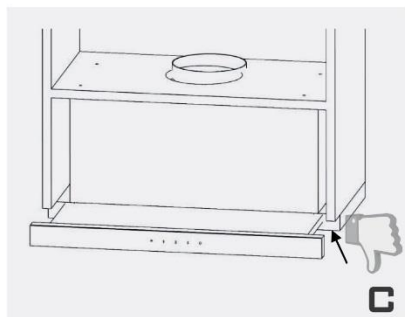
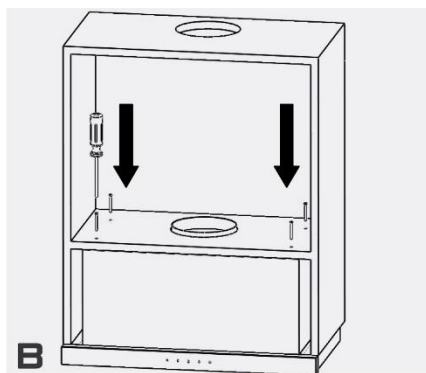
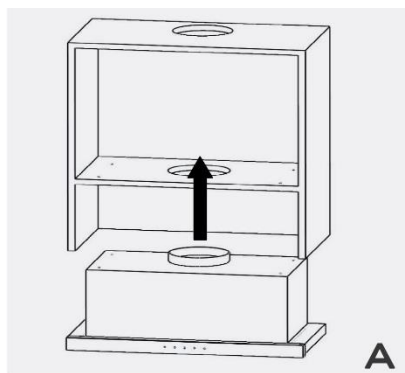
---

- Use only a damp doth with neutral liquid detergent.
- Do not use wet sponges or cloths, water jets, thinners, solvents, hydrochloric acid, bleach, alcohol or abrasive substances.
- Unplug the appliance or switch off the circuit breaker before carrying out maintenance operations.









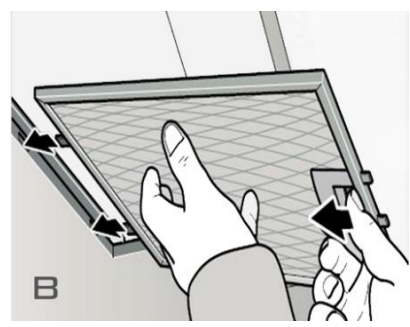
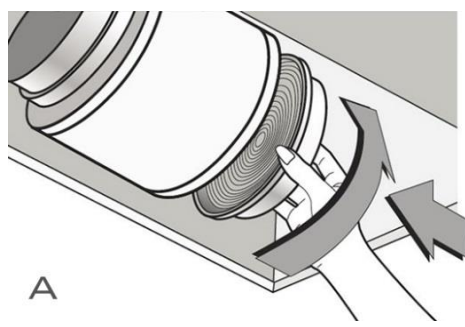
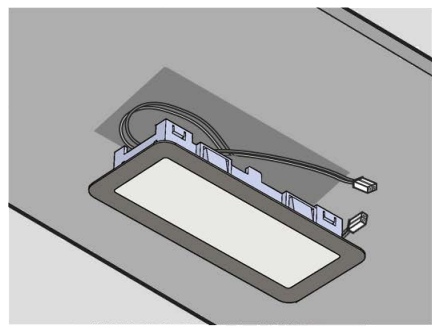
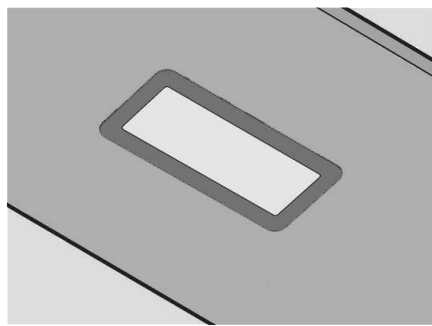




1

2

3<sup>i</sup>





A series of horizontal lines for writing, starting from the top right of the clipboard icon and extending across the page.



